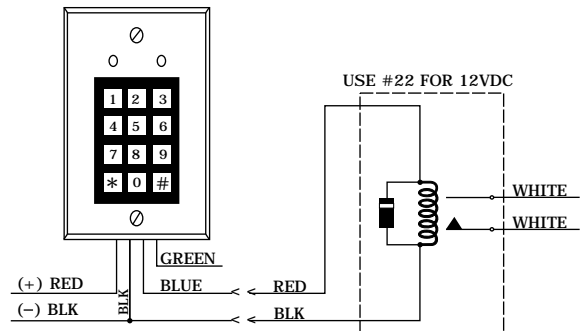
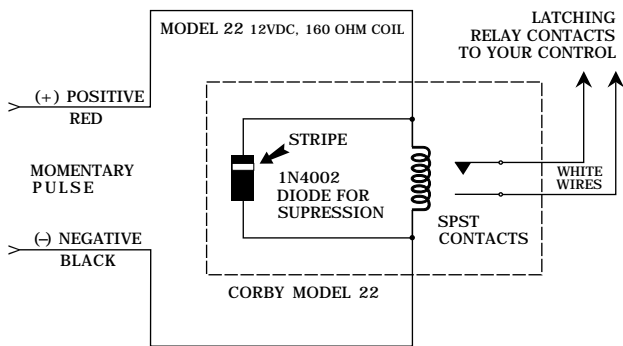


Corby Accessory Relays

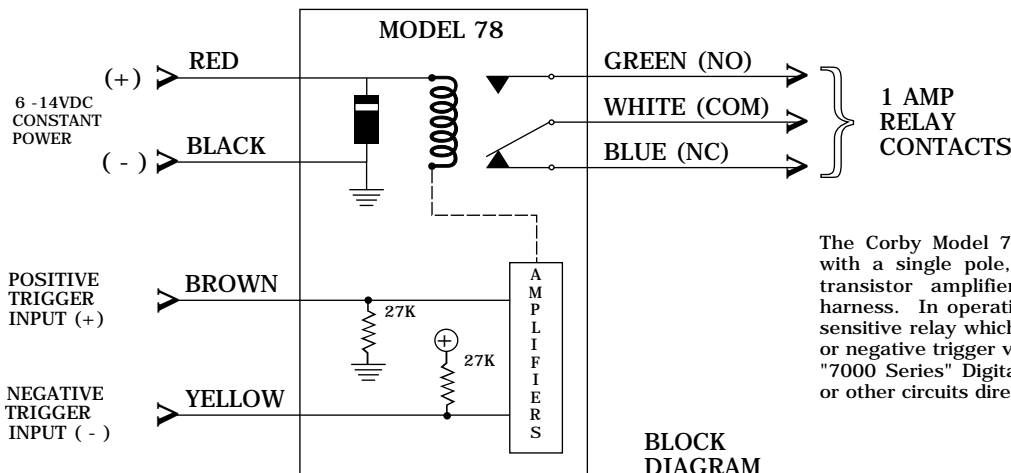
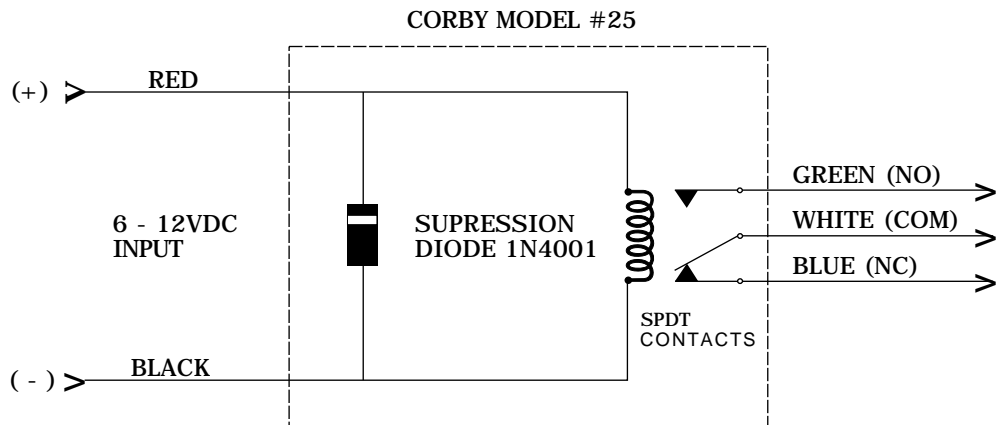
Set-up & Installation Instructions for the Model #22, #25, & #78 Relays

The Model #22 Relay has one single set of relay contacts (SPST) activated by a mechanical cam. A momentary pulse activates the cam and causes the contacts to open. They remain in that open position until the relay receives another momentary pulse and then the contacts close and wait for another pulse before they will open again. The relay contacts are either "on" or "off" and they change position every pulse. They will not change position during power failure. The contacts are rated @ 2 amps.

The Model 22 Relay may be operated from a 7100 Series Keypad to provide a latching set of relay contacts that will not change position if power is lost.



The Corby Model 25 is a general purpose, sensitive coil relay with single pole double throw (SPDT) dry contacts rated at 3 amps @ 120VAC. Because it has a 340ohm coil, it only requires 18mA @ 6V and 36 mA @ 12VDC to activate. It has five 6 inch color coded leads and a factory installed 1N4001 diode for EMP suppression.



The Corby Model 78 consists of a small circuit board with a single pole, double throw (SPDT) relay, dual transistor amplifiers, and a quick-disconnect wire harness. In operation, the electronic Module is a very sensitive relay which is activated by a low level positive or negative trigger voltage. It can also be used with any "7000 Series" Digital Keypad to activate alarm "panic" or other circuits directly from the keypad.

BLOCK DIAGRAM